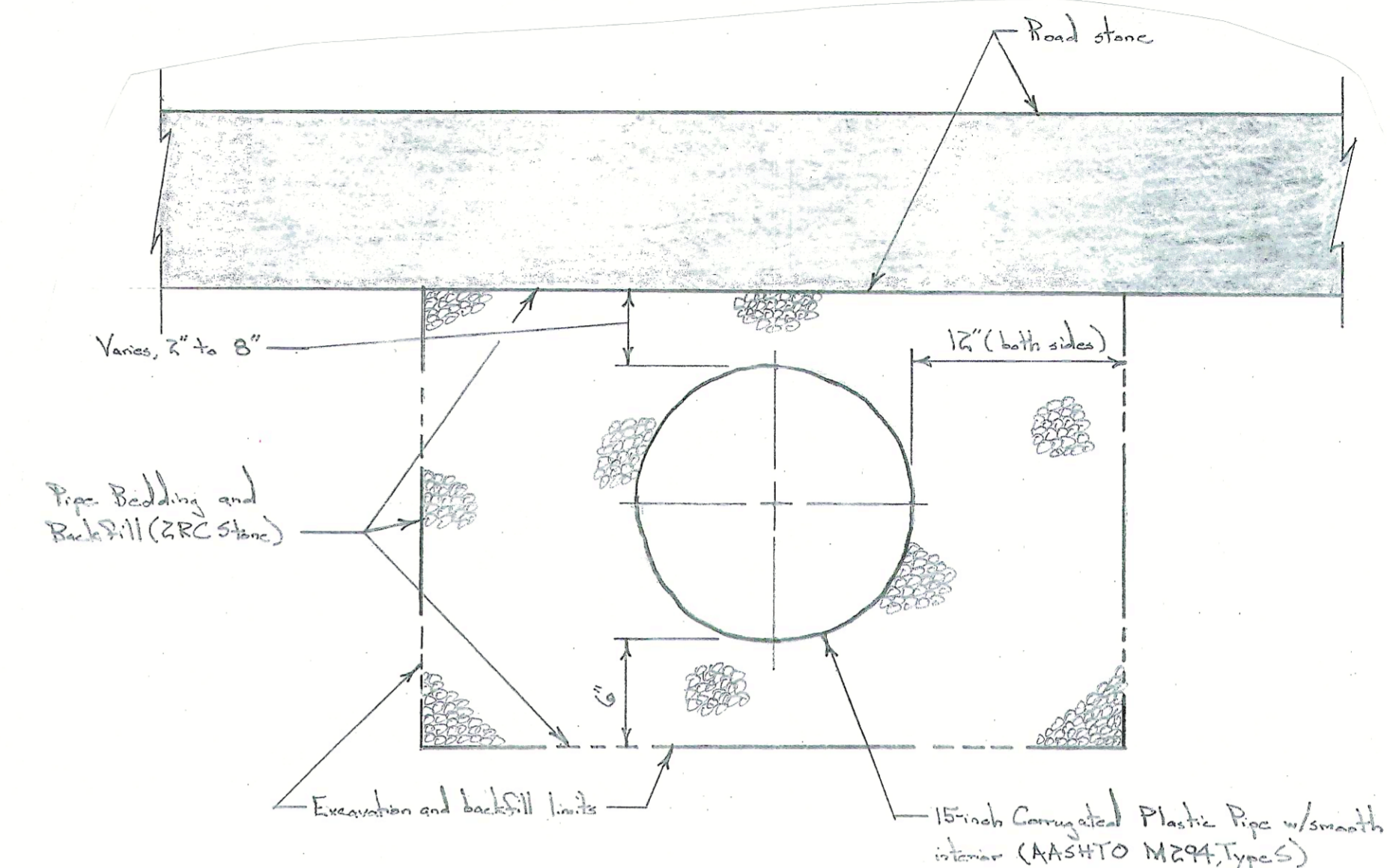


**DRAINAGE PIPE PLAN**

Scale: 1/4 in. = 1 ft.

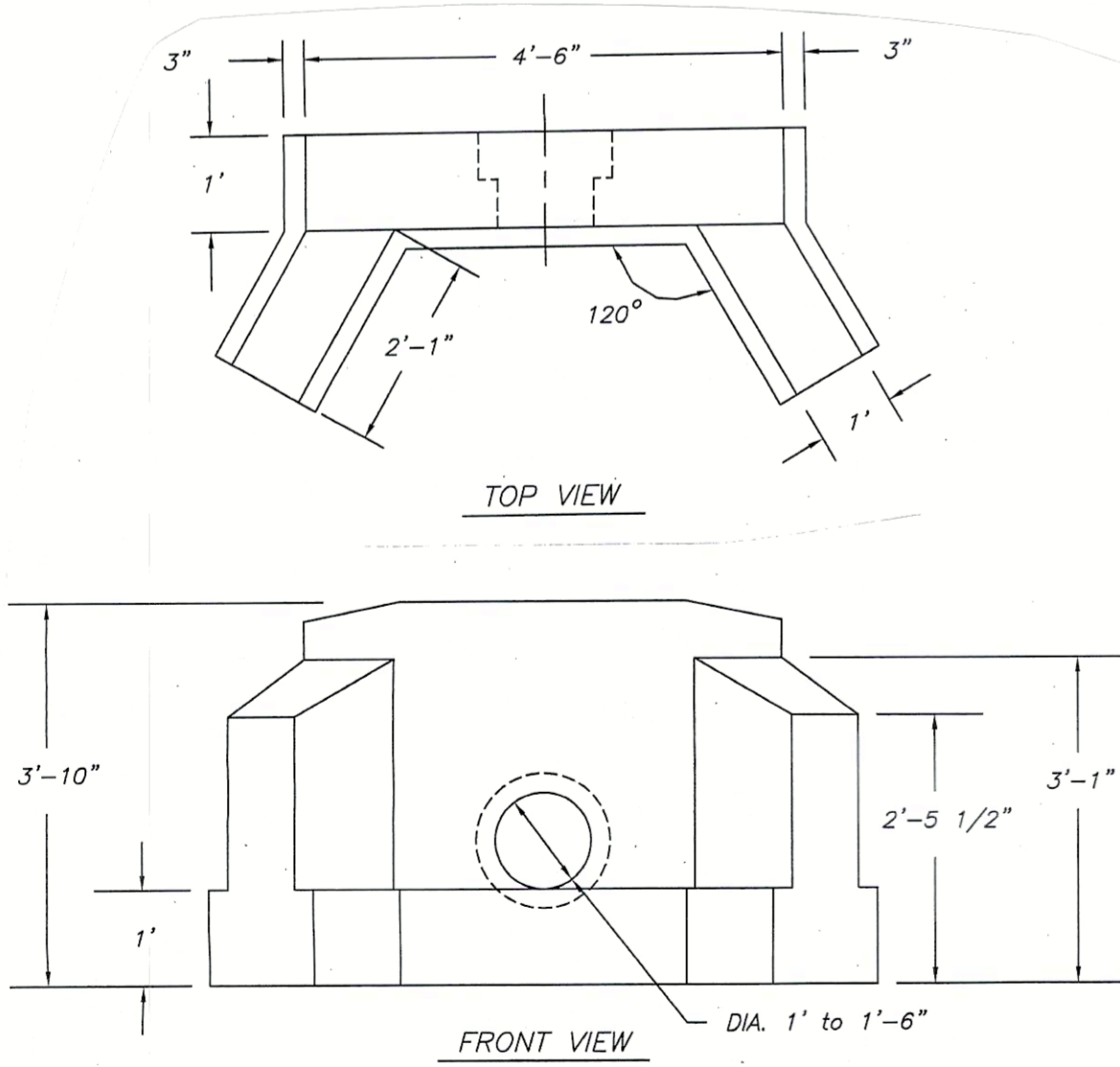


**DRAINAGE PIPE SECTION**

Scale: 1-1/2 in. = 1 ft.

**DRAINAGE PIPE NOTES**

1. The minimum fall in the new drainage pipes is 3-inches over a 10-foot length (slope of 0.025).
2. Pipes should cross the road to suit field conditions and existing drainage paths. New pipes are 30-feet long. Pipes should cross the road on an angle to suit flow patterns.
3. Perform minor grading at the inlet and outlet ends of the new drainage pipes so that flow smoothly enters and exits the pipes.
4. Minimum cover over the new drainage pipes is 12-inches.
5. The depth of placement of the new drainage pipes can vary to meet field conditions and slope requirements.
6. Place precast concrete headwalls on both ends of the new drainage pipes. Place a riprap splash pad on the downstream end of the new pipes.

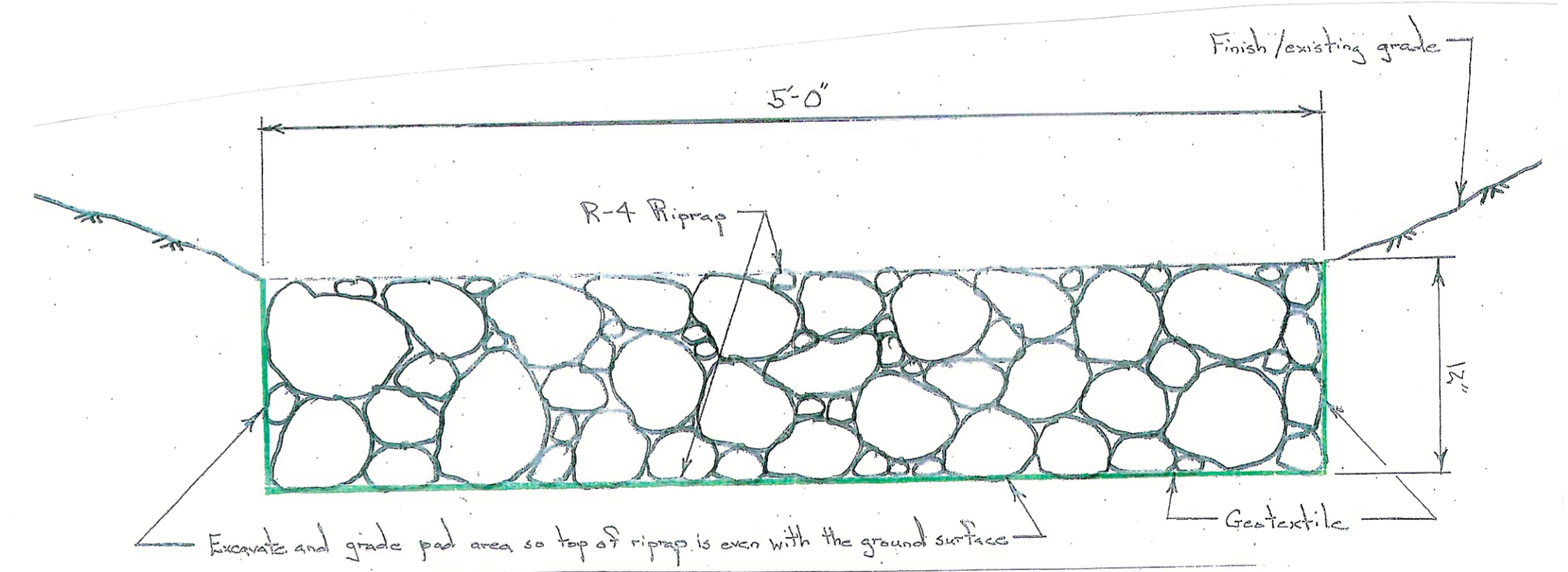


**15" HEADWALL**

**HEADWALL DETAILS**

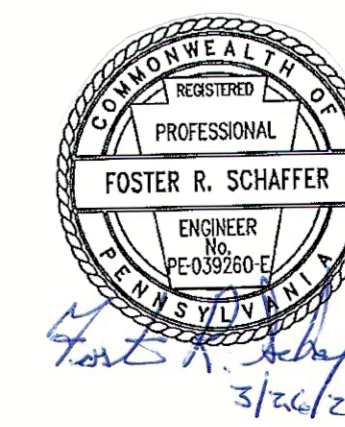
No Scale

- NOTES:
1. MINIMUM 4,000 P.S.I. CONCRETE AT 28 DAYS WITH 5.5% A.E.
  2. REINFORCEMENT—A.S.T.M. A615 GRADE 60, MINIMUM 1 1/2" COVER
  3. ALL EXPOSED EDGES ARE CHAMFERED 1"
  4. MATERIAL AND CONSTRUCTION SHALL COMPLY WITH PENN. D.O.T. PUB. 408
  5. APPROX. WEIGHTS :  
15" = 4,100 LBS.



**RIPRAP SPLASH PAD SECTION**

Scale: 1-1/2 in. = 1 ft.



PENNSYLVANIA GAME COMMISSION		
SGL #13	LAPORTE & COLLEY TWSFS	SULLIVAN CO.
BERWICK TURNPIKE ROAD PROJECT		
DRAINAGE PIPE DETAILS		
REVISIONS	PROJECT NO.	PGC-13-24-05
△	DRAWN BY:	JS
△	DATE:	3/26/24
△	SHEET NO.	2 OF 2